

# B.S. Electronic Systems Engineering Technology

## Catalog 143 2020-2021

### Freshman

### Sophomore

### Junior

### Senior

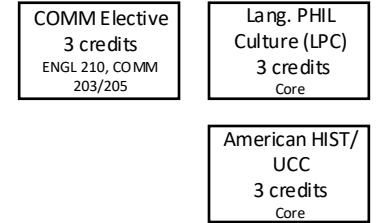
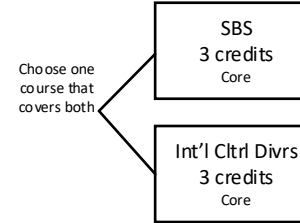
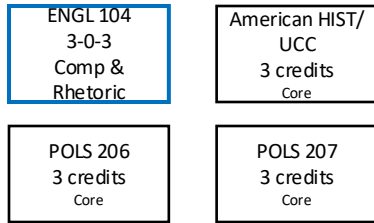
FALL SPRING

FALL SPRING

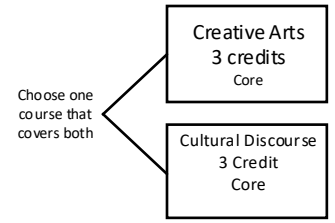
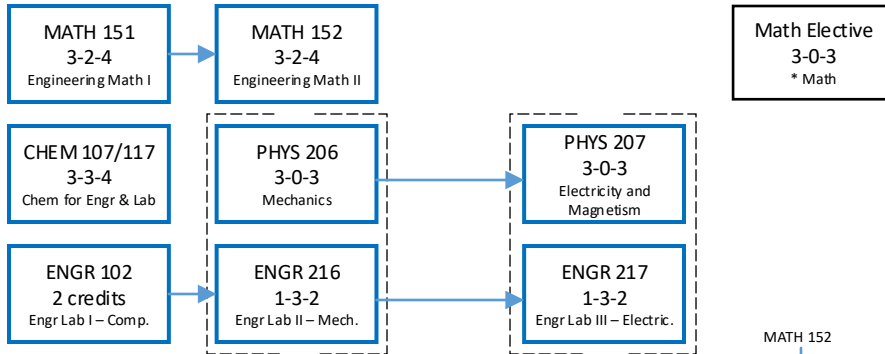
FALL SPRING

FALL SPRING

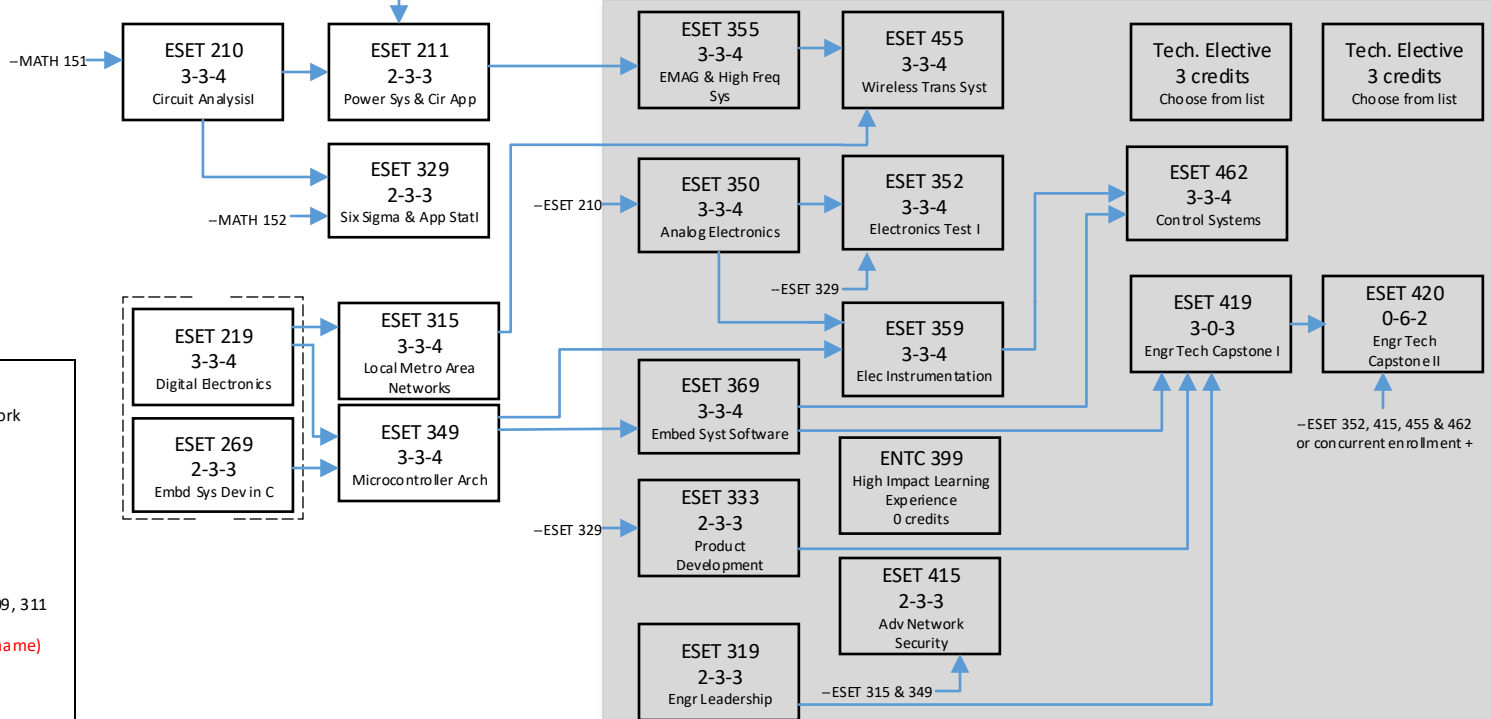
Core Curriculum Courses



Math, Science & Technical Courses



Major Coursework



- **Bold blue boxes** must be completed prior to taking all coursework shown inside the Gray box.

- # - # - # = # lecture hours, # lab hours, # credits

- To view Core Curriculum courses, visit [core.tamu.edu](http://core.tamu.edu)

- Choose electives from approved list in advising office

\*Math electives can be chosen from Math 251, 253, 304, 308, 309, 311

- Check [Restrictions & Details](#) link in Howdy (under each course name) for up to date prerequisites and information.