

# INDUSTRIAL DISTRIBUTION

Texas A&M University

Catalog 143 - Fall 2020 – 126 Hours

## FRESHMAN

FALL 16hrs SPRING 15hrs

## SOPHOMORE

FALL 15hrs SPRING 15hrs

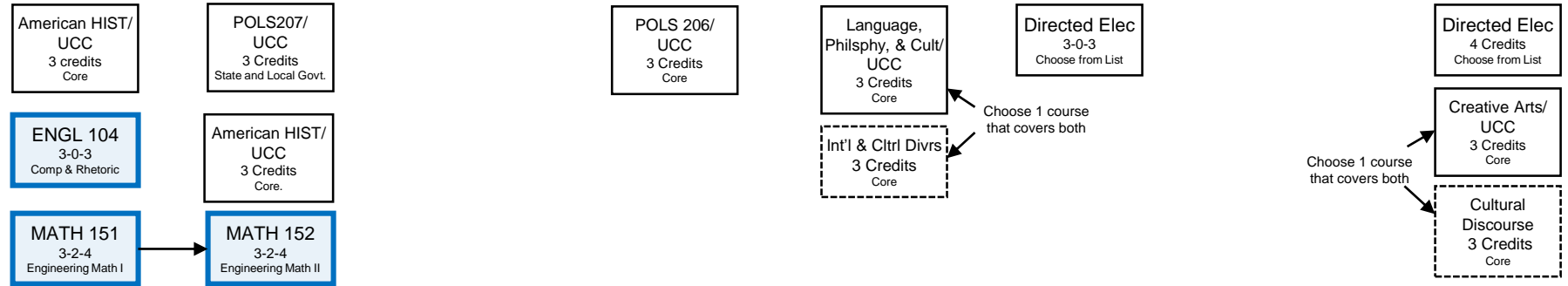
## JUNIOR

FALL 16hrs SPRING 17hrs

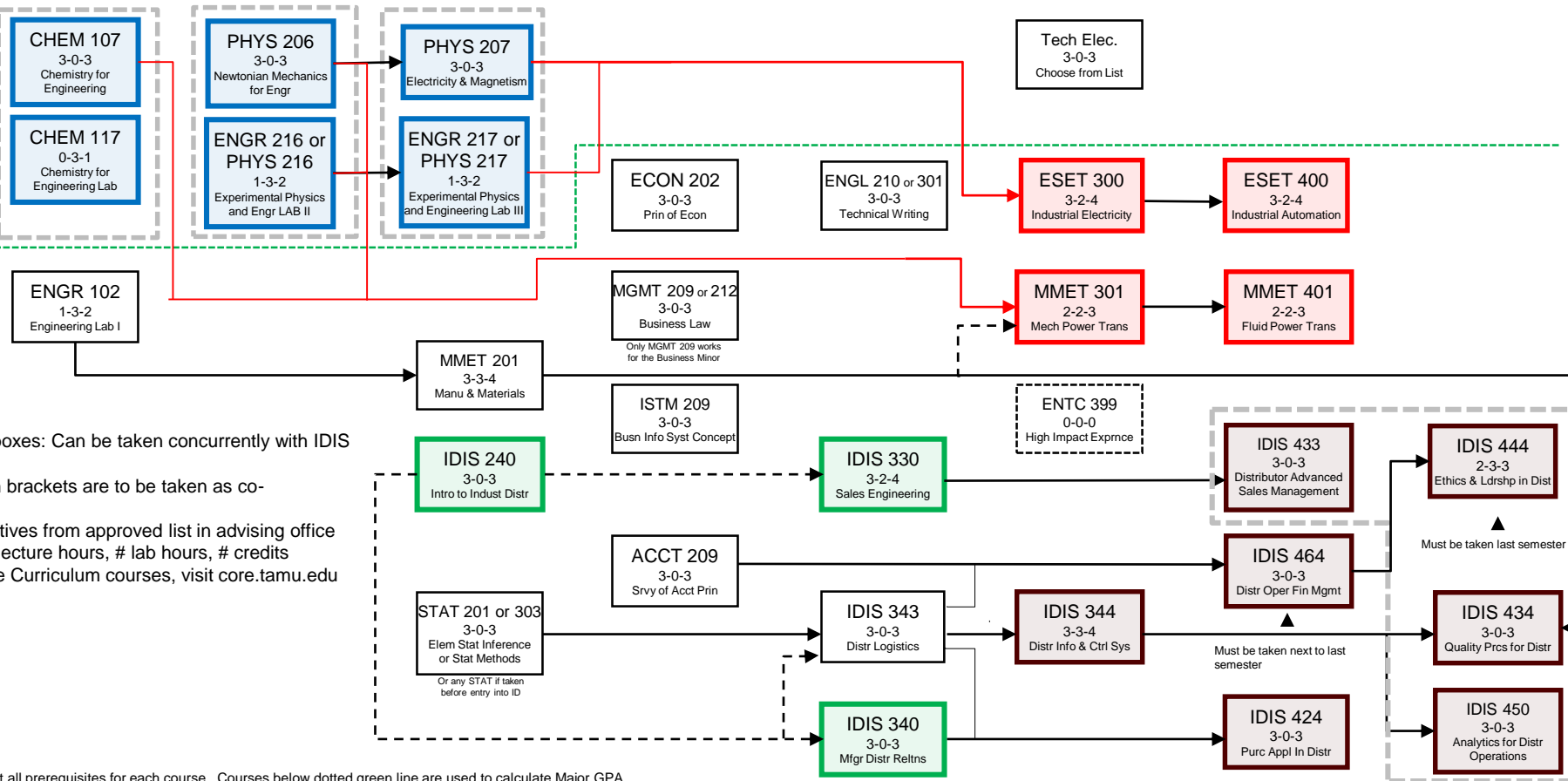
## SENIOR

FALL 16hrs SPRING 16hrs

**Core Curriculum Courses**



**Major Courses**



-Bold green boxes: Can be taken concurrently with IDIS 240  
 [-] courses in brackets are to be taken as co-enrollments  
 -Choose electives from approved list in advising office  
 -# - # - # = # lecture hours, # lab hours, # credits  
 -To view Core Curriculum courses, visit [core.tamu.edu](http://core.tamu.edu)

• Students must meet all prerequisites for each course. Courses below dotted green line are used to calculate Major GPA.